

**Lenze**

**Cyber  
Security  
by Lenze**



**Secure  
solutions**  
protect your  
machines  
from attacks

When using our products Cyber Security functions are always on board so that your machines, systems and plants run securely, your know-how is protected and you fulfill all legal requirements.



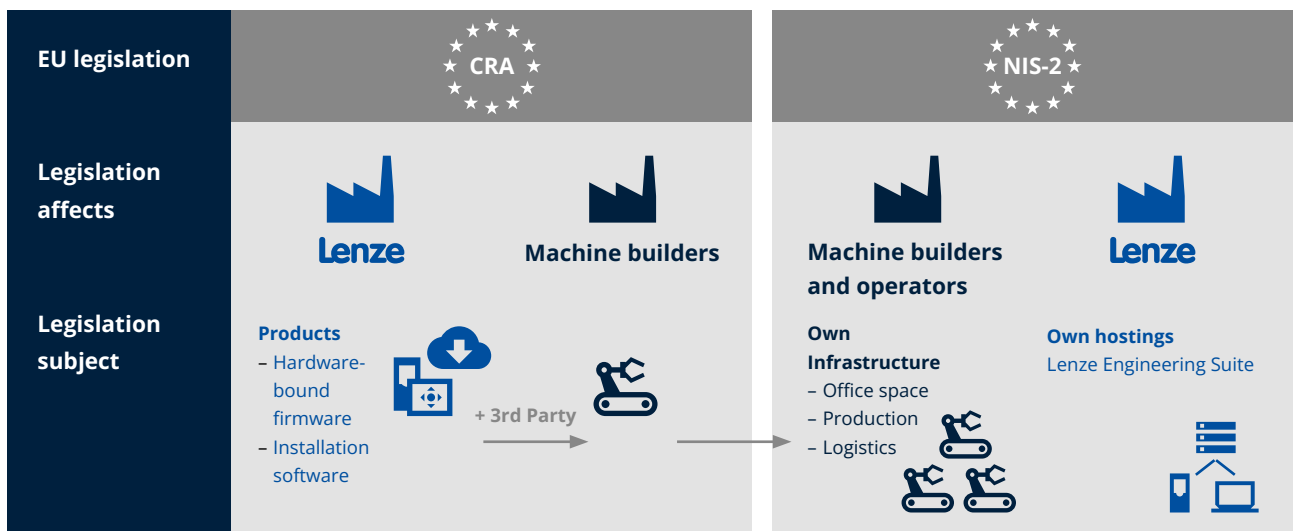
## Our solutions for your maximum Cyber Security

<p><b>With more than 1,000 machine solutions per year</b> we are an experienced partner for Automation systems, Digitalization and Cyber Security.</p>	<p>We support you with advice and action and are <b>a reliable sparring partner in the creation of your Cyber Security concept.</b></p>	<p>By using our products, <b>we increase the cyber resilience of the overall application</b> and work with you to minimize the risk of machine downtime.</p>	<p><b>We live Cyber Security by design</b> – our process is certified according to IEC 62443-4-1.</p>	<p>In our portfolio we consider the <b>Cyber Resilience Act</b> and work on the fulfillment of the criteria of <b>security level 2 according IEC 62443-4-2.</b></p>
--	---	--	---	---

## Legal framework conditions. What can you expect?

For many machine operators in the EU the contents of the **NIS-2 directive** and the associated far-reaching Cyber Security obligations will apply from fall 2024. The operation of all machines must be ensured through backup management, disaster recovery and established crisis management.

For mechanical engineering companies and suppliers the **Cyber Resilience Act (CRA)** will apply from December 11, 2027: only components and machines with digital elements that meet the Cyber Security requirements of the CRA could be sold. Of course, Lenze is also committed to this.



## A selection of our Cyber Security features

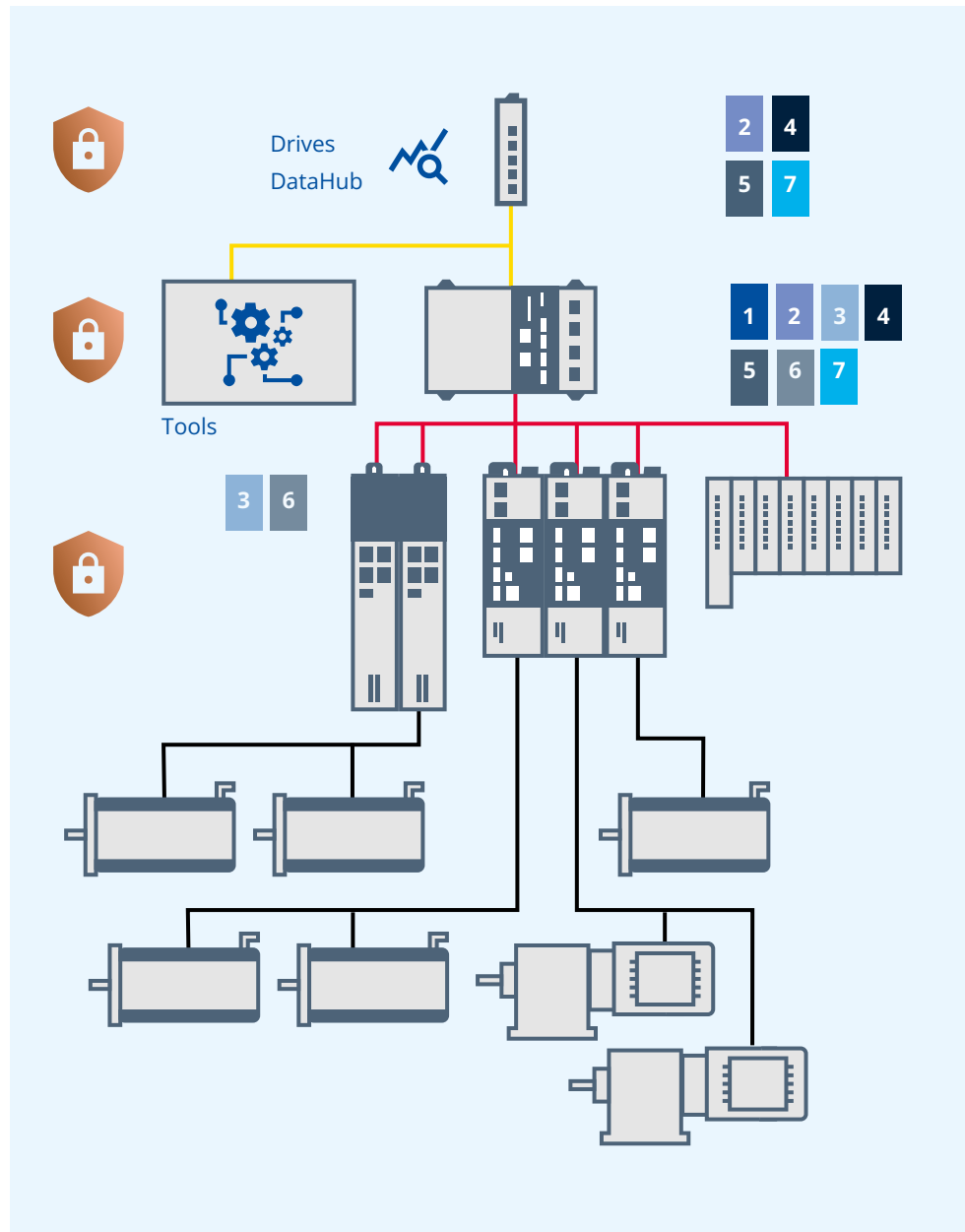
**1** Web-based Lenze engineering tools run on secure infrastructures. We are certified according to **ISO 27001**.

**2** Our products offer convenient options for the **update management as well as backup & restore concepts** for your machines. Tools such as the **Application Loader** and the **Firmware loader** enable updates of the field devices.

**3** To protect sensitive information of our customers, we offer comprehensive possibilities for **data encryption**. Example: The PLC program is stored in encrypted form both in the **PLC Designer** as well as on the **controllers**.

**4** **Access protection is integrated into various Lenze products:** Only authorized persons, services, and apps are granted access to sensitive device data.

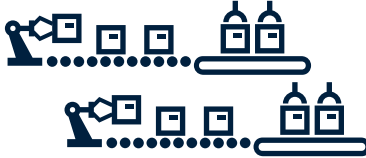


**5** With our **IoT Gateway x500** we enable secure **VPN access** to the machine. All customer data is stored securely, the infrastructure is **certified according ISO 27001**.



**6** With **OPC UA**, we use **encrypted communication**. Secure protocols such as https, ssh and sftp are used at other levels. This prevents unwanted interception of communication and protects your sensitive know-how.

**7** **Firewalls in our components** restrict access to the system and subordinate systems. They are already integrated in the **IoT Gateway x500** and in all **Lenze controllers** of the latest generation. In the future, a firewall will also be available in the **i950 servo inverter**.

## Roles and responsibilities

Machine operators	Machine builders	Lenze
<ul style="list-style-type: none"> <li>- Develops and demands Cyber Security concepts for its production facilities</li> <li>- Protects data and know-how of its processes</li> <li>- Prevents machine downtimes</li> <li>- Provides a team of experts (PSIRT) for rapid response in an emergency</li> <li>- Complies with the law</li> </ul> 	<ul style="list-style-type: none"> <li>- Develops Cyber Security concepts for its machines</li> <li>- Protects end users' data and know-how</li> <li>- Prevents machine downtimes</li> <li>- Provides a team of experts (PSIRT) for rapid response in an emergency</li> <li>- Complies with the law</li> </ul> 	<ul style="list-style-type: none"> <li>- Enables secure machines through secure products and Cyber Security functions</li> <li>- Protects machine builders' data and expertise</li> <li>- Expert and sparring partner</li> <li>- Lenze expert team (PSIRT) for rapid response in an emergency</li> <li>- Complies with the law</li> </ul> 

**Dialog at eye level leads to optimal Cyber Security concepts**

### Read more

 <p><b>Engineering Suite</b> Efficient engineering for your machine</p>			<p><b>Drives</b> Configurable for all requirements</p>	
 <p><b>Cyber Security</b> To secure your machines</p>			<p><b>Controllers</b> Simple controlling in every situation</p>	
			<p><b>IoT Gateways</b> LAN, WLAN and 4G cloud connection</p>	



This document is the intellectual property of Lenze SE, Hamelin (Germany). All details and information included in this brochure are correct based on the information available at the time of publishing and serve only to provide preliminary information. Potential colour deviations from the original product are due to the printing process. Lenze is the sole and exclusive owner of the copyright and the intellectual property rights. Any use of this document, in particular dissemination, reprinting or adapting, it is only permitted following express written approval by Lenze.